



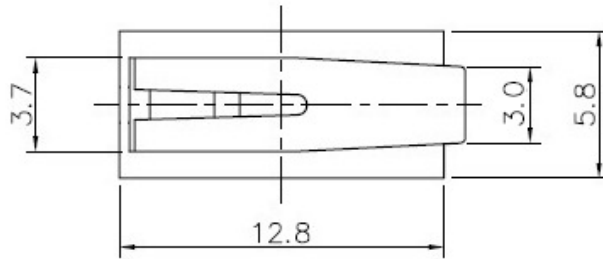
PRAN ELECTRONICS PVT. LTD.

52, GIDC, Makarpura, Vadodara - 390 010. India.
Phone : +91 - 265 - 263 2916, 263 5920 Fax : + 91 - 265 - 263 5918
E-mail : info@pranelectronics.com Web : www.pranelectronics.com

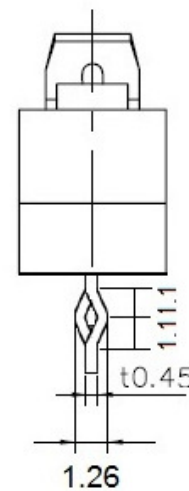
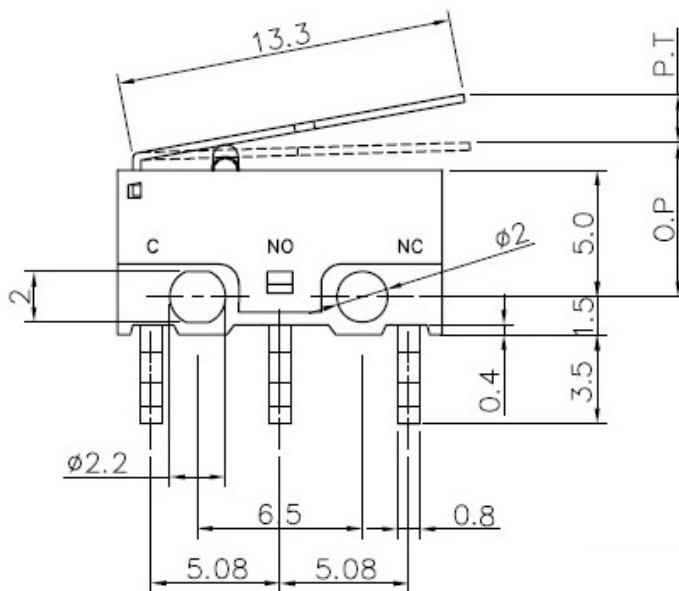
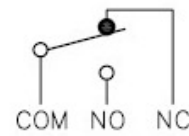
AN ISO 9001:2000 COMPANY

MICRO SWITCH: MS-1281-BL
Micro switch with Bent terminals

Rev.01 25/02/2017
RoHS Compliant

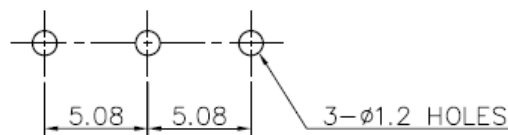


CIRCUIT DIAGRAM



General tolerance +/- 0.2mm

P.C.B DIAGRAM





PRAN ELECTRONICS PVT. LTD.

52, GIDC, Makarpura, Vadodara - 390 010. India.
Phone : +91 - 265 - 263 2916, 263 5920 Fax : + 91 - 265 - 263 5918
E-mail : info@pranelectronics.com Web : www.pranelectronics.com

AN ISO 9001:2000 COMPANY

MICRO SWITCH: MS-1281-BL
Micro switch with Bent terminals

Rev.01 25/02/2017
RoHS Compliant

Electrical specifications:

Contact Rating	125V AC x 1A, 5V DC x 30mA
Contact Arrangement	SPDT
Operating Life Electrical	6,000 cycles
Operating Life Mechanical	10,000 cycles
Dielectric Strength	500V AC for 1 min.
Insulation Resistance	100 M Ohms min.
Contact Resistance	100 milli Ohms max.
Max. Operating frequency	200 operations/min.
Ambient Temperature	-40 Deg. C to 85 Deg. C
Ambient Humidity	Less than 85% RH

Operating characteristics:

Operating Force O.F (max)	40gf \pm 20gf
Return Force R.F (min)	5gf
Pre Travel P.T (max)	1.8mm \pm 0.3mm
Over Travel O.T (min)	0.6mm
Operating position O.P	8.80 \pm 0.8mm
Free position F.P	10.40 \pm 0.8mm

Material Specifications:

Case	PBT G30
Plunger	POM
Cover	PC
Terminals	Brass Silver Plated
Contacts plate	Phosphor Bronze with Silver rivets

Rev. 1 date 25/02/2017 *Dimension correction for lever